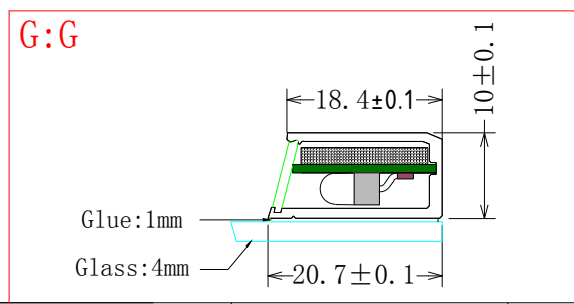
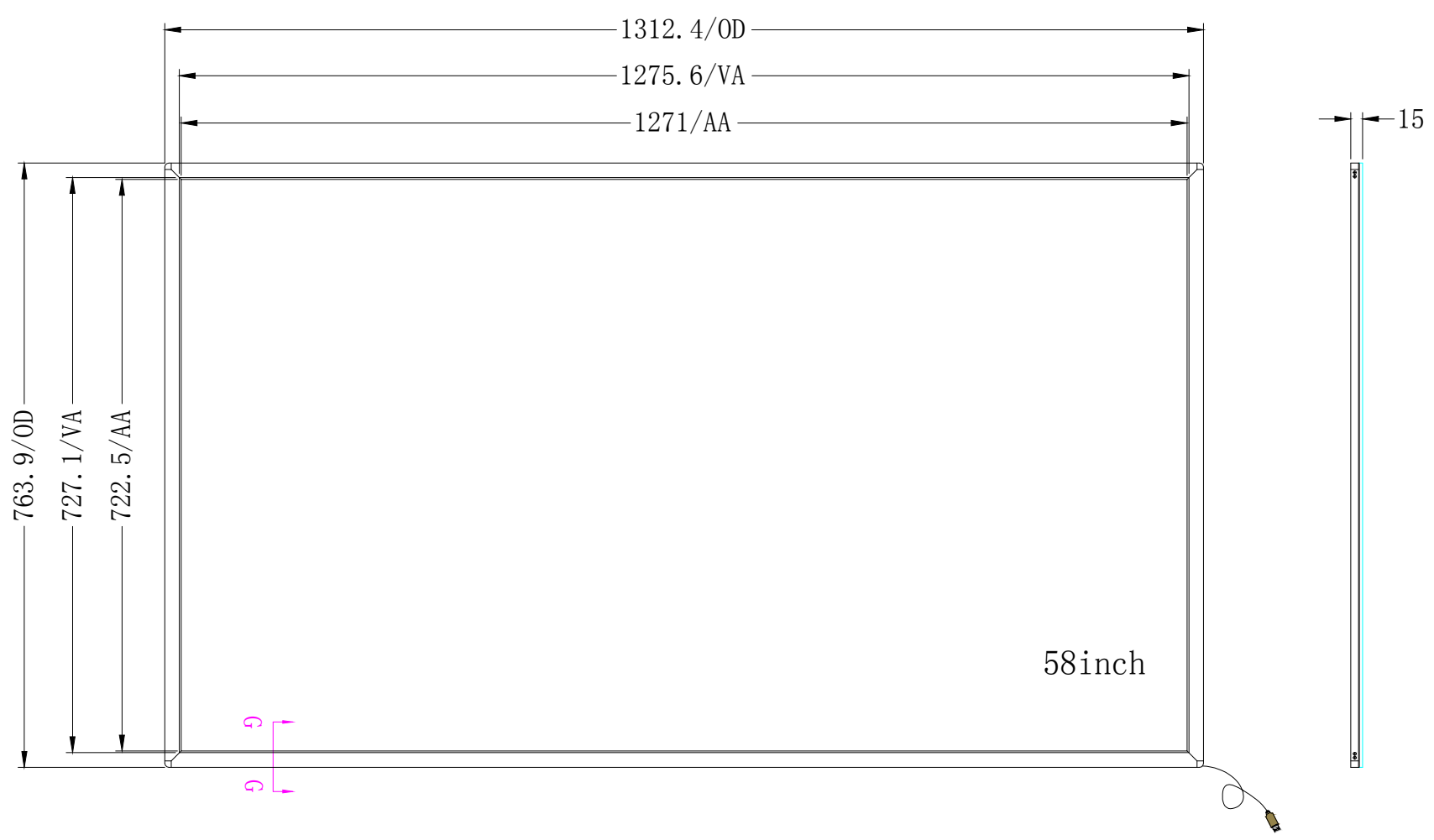


3		2		1	
Version	Reasons for change		DATE	Design	



TOLERANCES  
(UNLESS OTHERWISE STATED)

DECIMALS	ANGLES	± 0.5°
> 2000mm	± 2.00mm	
1600 < X ≤ 2000mm	± 1.20mm	
1200 < X ≤ 1600mm	± 0.80mm	
800 < X ≤ 1200mm	± 0.50mm	
400 < X ≤ 800mm	± 0.30mm	
120 < X ≤ 400mm	± 0.20mm	
30 < X ≤ 120mm	± 0.20mm	
≤ 30mm	± 0.15mm	

THIRD ANGLE PROJECTION

**格林触控**  
**GreenTouch** GreenTouch Technology Co.,Ltd

Model No:	GT-IR-TB58-1	Size:	58"
Ratio:	16:9	Unit:	mm
Design:	MR. LI	DATE:	2018.12.06
Scale:	1:1	Version:	A1
Page:	1/1		