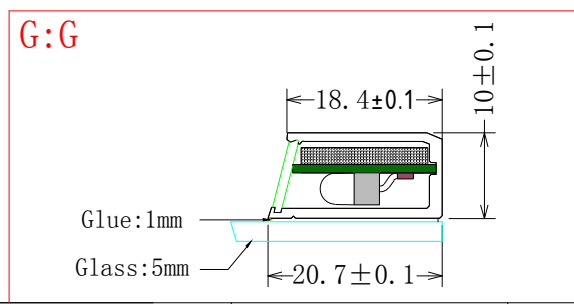
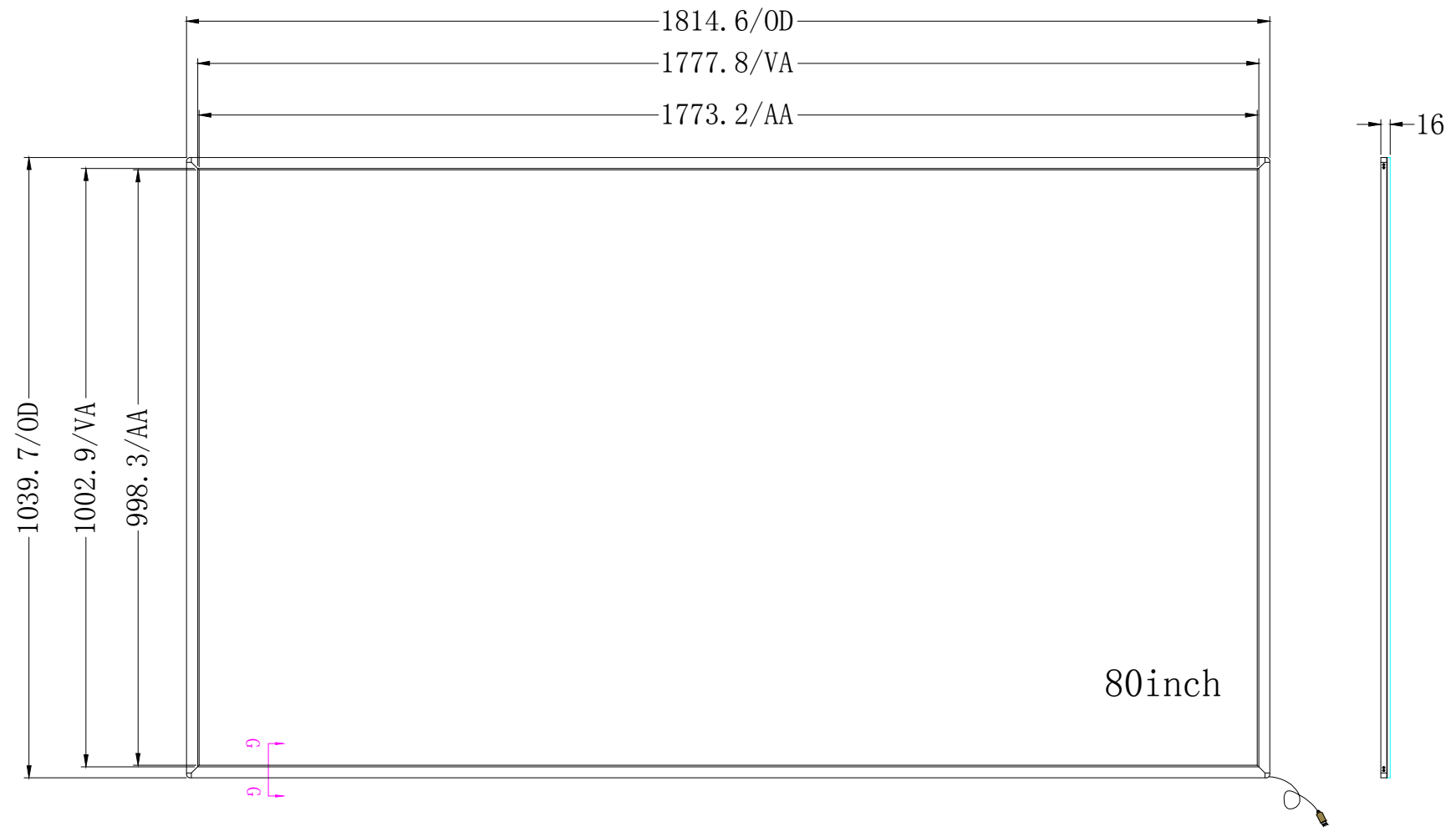


|         |                    |      |        |
|---------|--------------------|------|--------|
| Version | Reasons for change | DATE | Design |
|         |                    |      |        |



TOLERANCES  
(UNLESS OTHERWISE STATED)

| DECIMALS          | ANGLES  | ±0.5° |
|-------------------|---------|-------|
| >2000mm           | ±2.00mm |       |
| 1600 < X ≤ 2000mm | ±1.20mm |       |
| 1200 < X ≤ 1600mm | ±0.80mm |       |
| 800 < X ≤ 1200mm  | ±0.50mm |       |
| 400 < X ≤ 800mm   | ±0.30mm |       |
| 120 < X ≤ 400mm   | ±0.20mm |       |
| 30 < X ≤ 120mm    | ±0.20mm |       |
| ≤ 30mm            | ±0.15mm |       |

THIRD ANGLE PROJECTION

**格林触控**  
**GreenTouch** GreenTouch Technology Co.,Ltd

|           |              |          |            |
|-----------|--------------|----------|------------|
| Model No: | GT-IR-TB80-1 | Size:    | 80"        |
| Ratio:    | 16:9         | Unit:    | mm         |
| Design:   | MR. LI       | DATE:    | 2018.12.06 |
| Scale:    | 1:1          | Version: | A1         |
| Page:     | 1/1          |          |            |