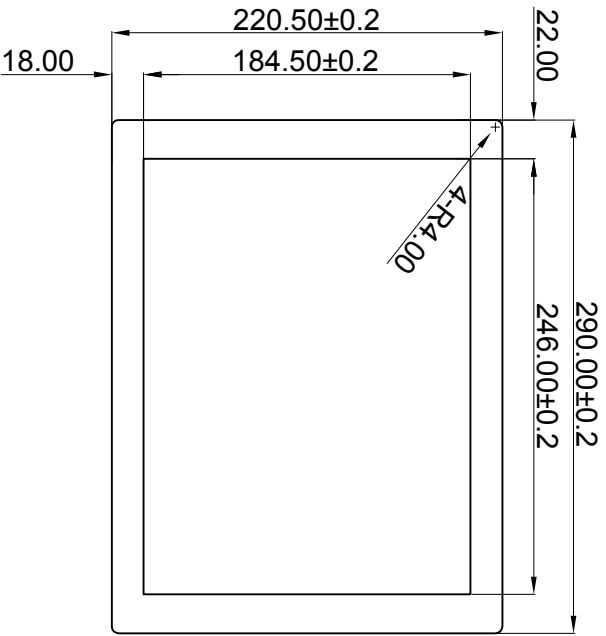


Document number:

Version	Modifying Records	Record	Date
V1.0	Initial release.		

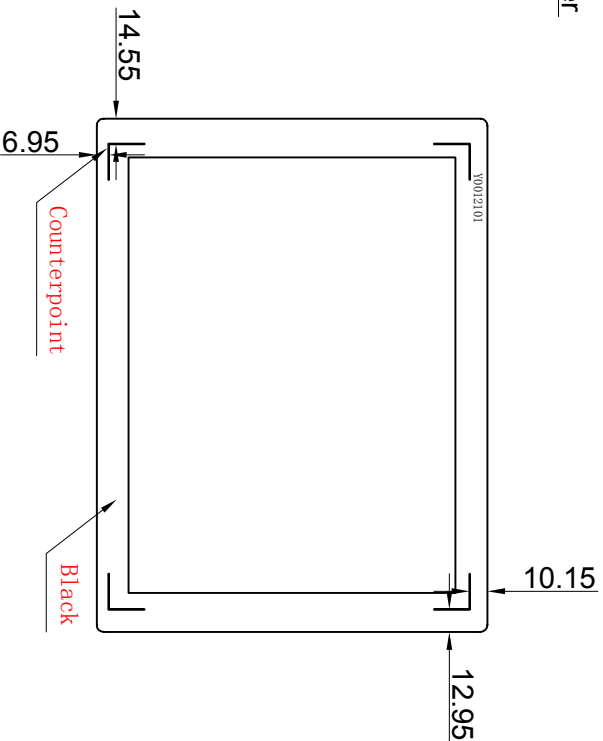
Front view 1:1



Side view 横向10:1



Rear view 1:1



- Technical parameter:
1. Tempered glass: 1.8mm
  2. Transmittance:  $\geq 85\%$
  3. Surface hardness: 6H
  4. Unmarked dimensional tolerance is  $\pm 0.2\text{mm}$

绿touch

GreenTouch Technology Co., Ltd

DRAWN BY: 李俊	PRODUCT MODEL: GT-C08-V121A-1	VIEW:
CHECKED BY: 邓留生	CUSTOMER ID:	投影方式: 第三角投影法
APPROVED BY: 付作书	DATE: 2017-11-28	UNITS: mm
Standard tolerance: 公差:	WEBSITE: 网址:	SCALE: 1:1