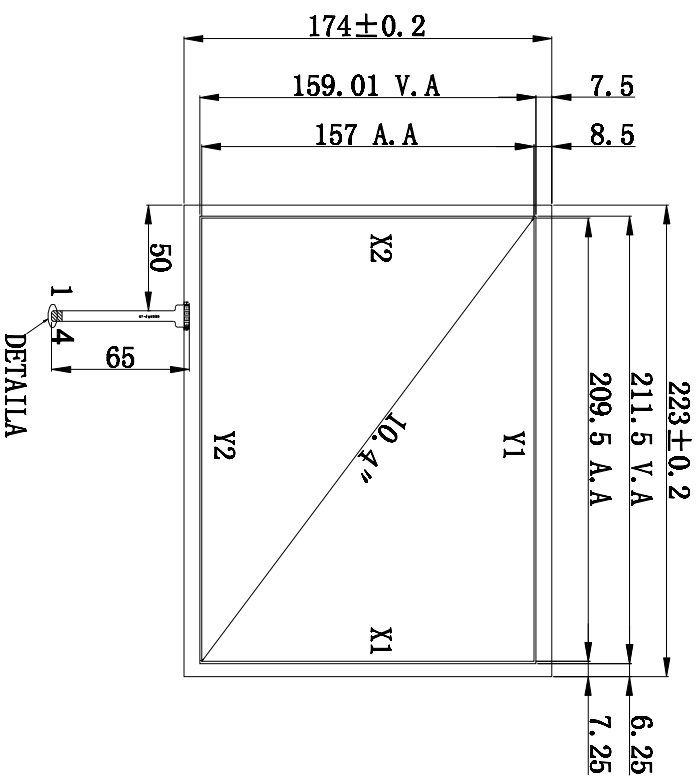
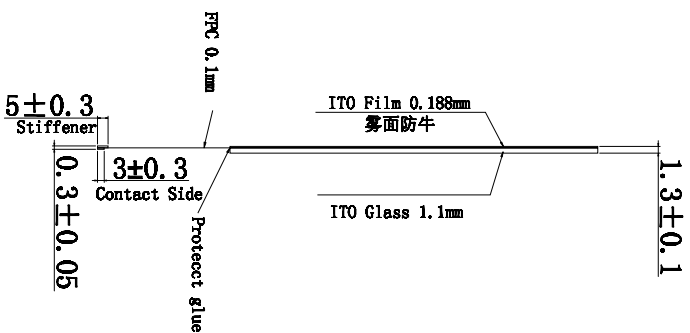


标示	更改内容	签名	日期
1			

正视图



侧视图

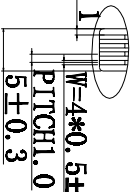


Notes:

1. Type: ITO Glass+ITO Film
2. Operating Voltage: ≤10V
3. Operation Temperature: -10℃~50℃  
Storage Temperature: -30℃~80℃
4. Life Time: >1,000,000 times
5. Connect Material: FPC
6. Response Time: ≤10ms
7. Linearity: ≤1.5%
8. Transmittance: ≥75%
9. Surface Hardness: ≥3H(pencil)
10. Operation force: 20g~150g
11. Resistance: X: 346Ω-846Ω  
Y: 211Ω-515Ω

PIN	OUT	Contact Side
1	X2	Y1
2	Y2	X1
3	X1	Y2
4	Y1	X2

0.75 ± 0.1



Detail A (SCALE: 1)

綠城觸控 <b>GreenTouch</b>		Shenzhen GreenTouch Technology Co., Ltd	
Model No.	GT-110403A	Size	10.4"
Structure	5+2	Unit	mm
Design	9/18	Drawn	ZHANGKANG
Check	4/19	Checked	ZHANGKANG
Number	038	Date	2018.12.15
Version		Page	1/1
		Version	01