

G

F

E

D

C

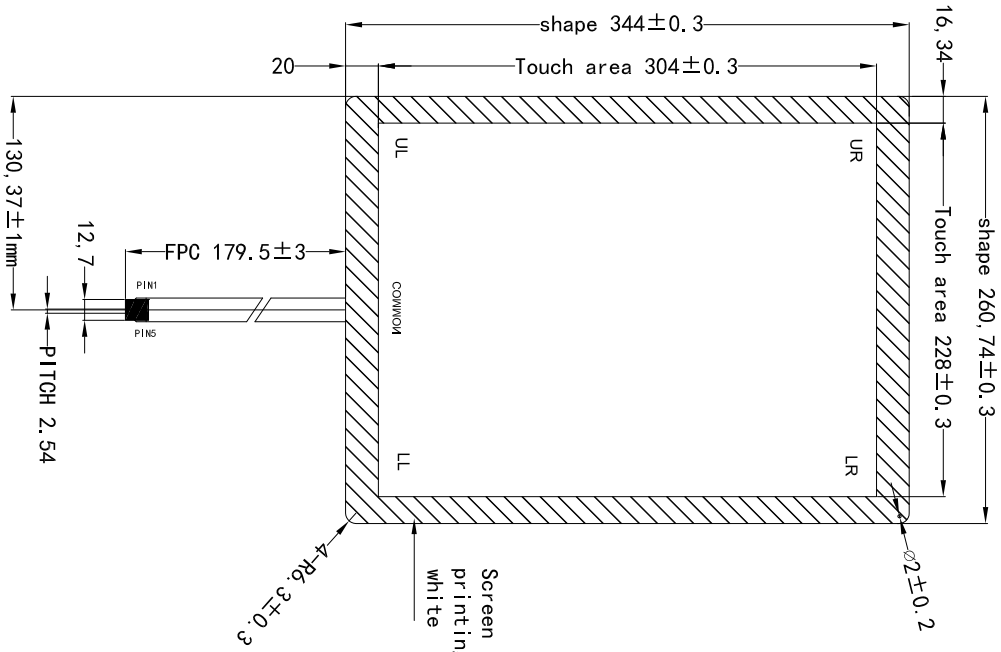
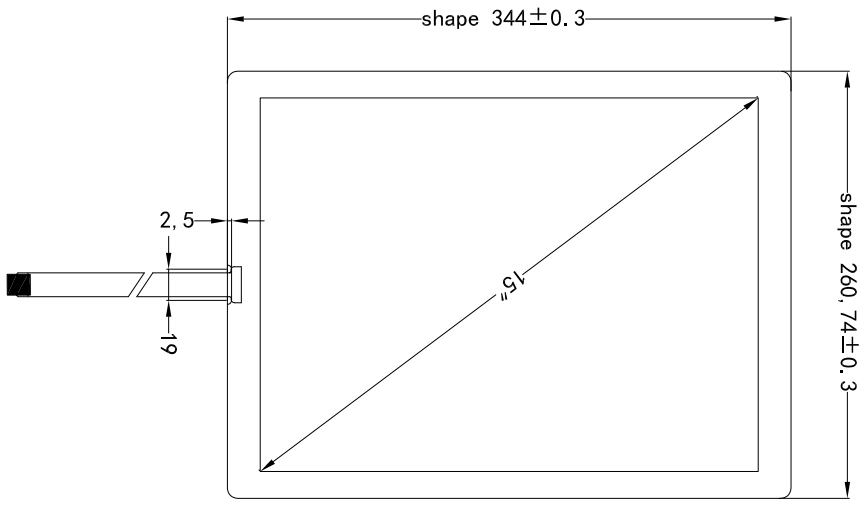
B

A

FRONT VIEW (GLASS SIDE)

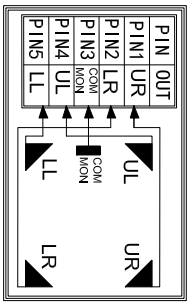
FRONT VIEW (FILM SIDE)

profile



- Notes:
- 1.Type:PET+Film+Glass
 - 2.Operating Voltage:≤10V
 - 3.Operating Temperature:-20 C~65 C
 - 4.Life Time:1,000,000 times
 - 5.Storage Temperature:-30 C~70 C
 - 6.Connect Material:FPC
 - 7.Response Time:≤10ms
 - 8.Transmittance:≥75%
 - 9.Linearly:≤1.5%
 - 10.Surface Hardness:≥3H(pencil)
 - 10.Operation force:50g~150g

- 11.Resistance:500 < PIN1, PIN2 < 2500
500 < PIN2, PIN4 < 2500
500 < PIN4, PIN5 < 2500
500 < PIN5, PIN1 < 2500



TOLERANCES
(UNLESS OTHERWISE STATED)
DIMENALS ANGLES ±0.5%

1800< X ≤2000MM	±1.20MM
1200< X ≤1800MM	±0.50MM
800< X ≤1200MM	±0.50MM
400< X ≤800MM	±0.40MM
120< X ≤400MM	±0.20MM
30< X ≤120MM	±0.10MM
<30MM	±0.10MM



Green Touch Technology Co., Ltd

Model No.:	Size	Ratio
GT-SM-15H-1	15"	4:3
Structure	Unit	Scale
G+H+P	mm	1:1
Design	Date	Page
李强	2016.7.15	1/1
Check	Date	Version
李强	2016.7.15	A0
Release	Date	
	2016.7.15	

G

F

E

D

C

B

A

1

2

3

4

5

1

2

3

4

5