

File No:

1

2

3

6

7

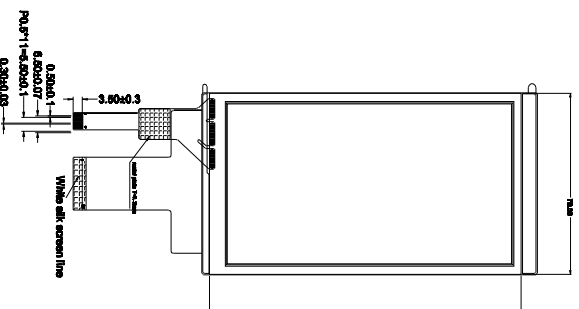
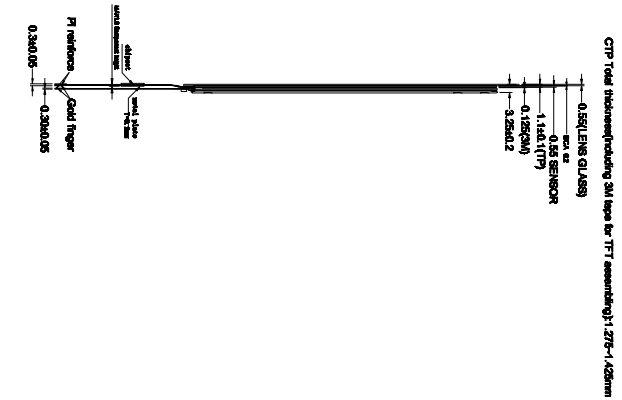
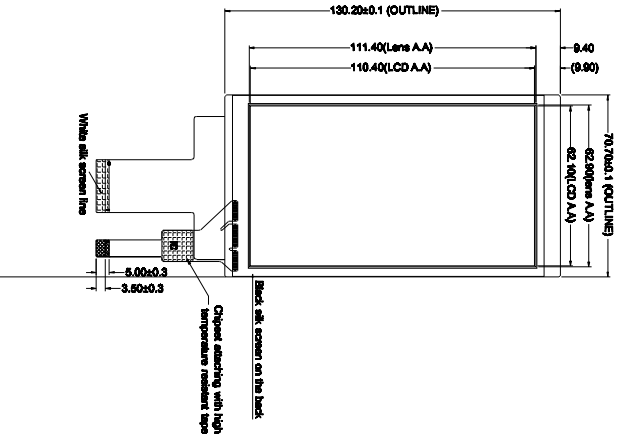
8

|      |                |         |      |
|------|----------------|---------|------|
| 版本   | Amend Record   | Charger | Date |
| V1.0 | First Version. |         |      |

Front 1:1

Side 10:1

Back 1:1



Technical Parameters:

- 1.I.C: FT911 12\*20
- Cover GLASS:0.55mm
- SCA:0.200mm
- ITO SENSOR: 0.55
- Lead: FPC (PINCH=0.5mm)
- Total thickness: 1.3±0.1mm
- 2.Operating Voltage: 2.8V IO Voltage:
- 3. Transparency: ≥83%
- 4. Tolerance: 6H
- 5. Working environment: -20°C~+50°C, ≤90%RH
- 6. Storage environment: -30°C~+60°C, ≤90%RH

Explanation:

- 1. structure type: G+G Structure.
- 2. Tolerance : ±0.20;
- 3. Products are RoHS compliant;

客户确认签字:

|                                  |      |                                      |       |
|----------------------------------|------|--------------------------------------|-------|
| <b>绿成触控</b><br><b>GreenTouch</b> |      | <b>GreenTouch Technology Co.,Ltd</b> |       |
| DRAWN BY:                        | 绘图人: | PRODUCT MODEL:                       | 产品型号: |
| CHECKED BY:                      | 审核人: | CT-CT950028                          |       |
| APPROVED BY:                     | 批准:  | CUSTOMER ID:                         | 客户编号: |
| DATE:                            | 日期:  | DATE:                                | 日期:   |
| Standard tolerance:              | 公差:  | WIRE SITE:                           | 网址:   |
| VIEW:                            |      | 投影方式: 第三角投影法                         |       |
| UNITS                            |      | 单位:                                  |       |
| SCALE                            |      | 比例:                                  |       |
| 1:1                              |      |                                      |       |

1

2

3

6

7

8