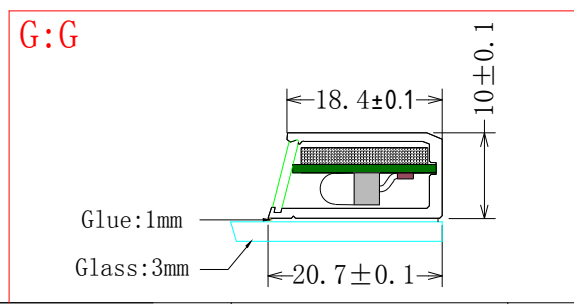
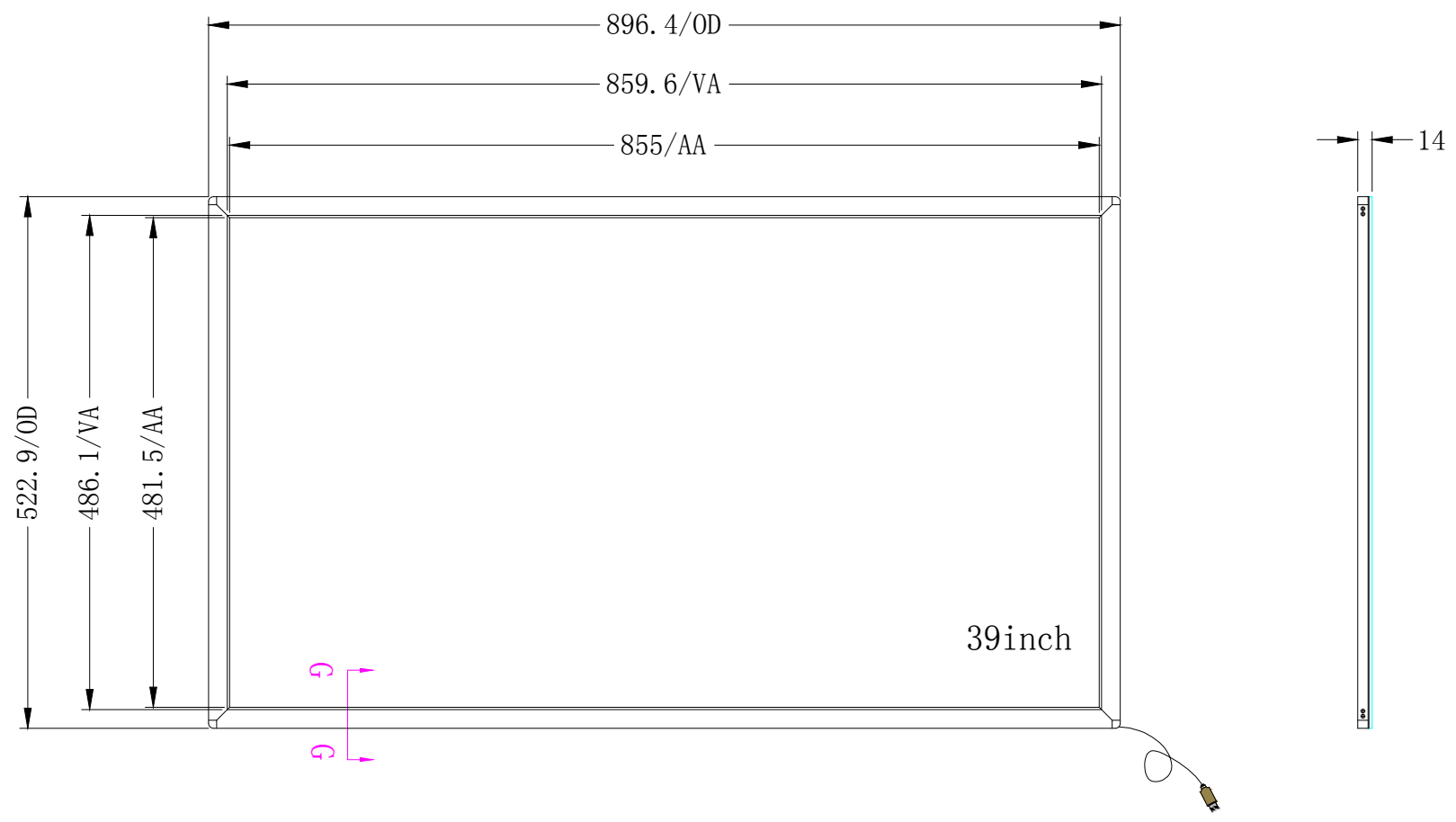


Version	Reasons for change	DATE	Design



TOLERANCES (UNLESS OTHERWISE STATED)	
DECIMALS	ANGLES
>2000mm	± 2.00mm
1600 < X ≤ 2000mm	± 1.20mm
1200 < X ≤ 1600mm	± 0.80mm
800 < X ≤ 1200mm	± 0.50mm
400 < X ≤ 800mm	± 0.30mm
120 < X ≤ 400mm	± 0.20mm
30 < X ≤ 120mm	± 0.20mm
≤ 30mm	± 0.15mm

ANGLES ± 0.5°

THIRD ANGLE PROJECTION

GreenTouch Technology Co.,Ltd			
Model No:	GT-IR-TB39-1	Size:	39"
Ratio:	16:9	Unit:	mm
Design:	MR. LI	DATE:	2018.12.06
Scale:	1:1	Version:	A1
Page:	1/1		