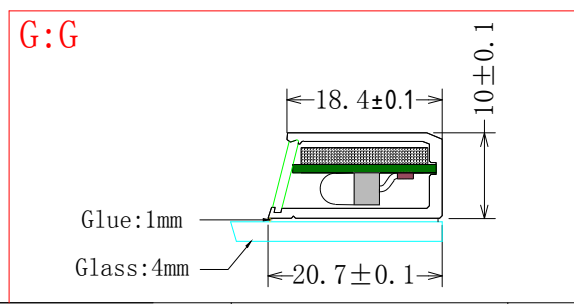
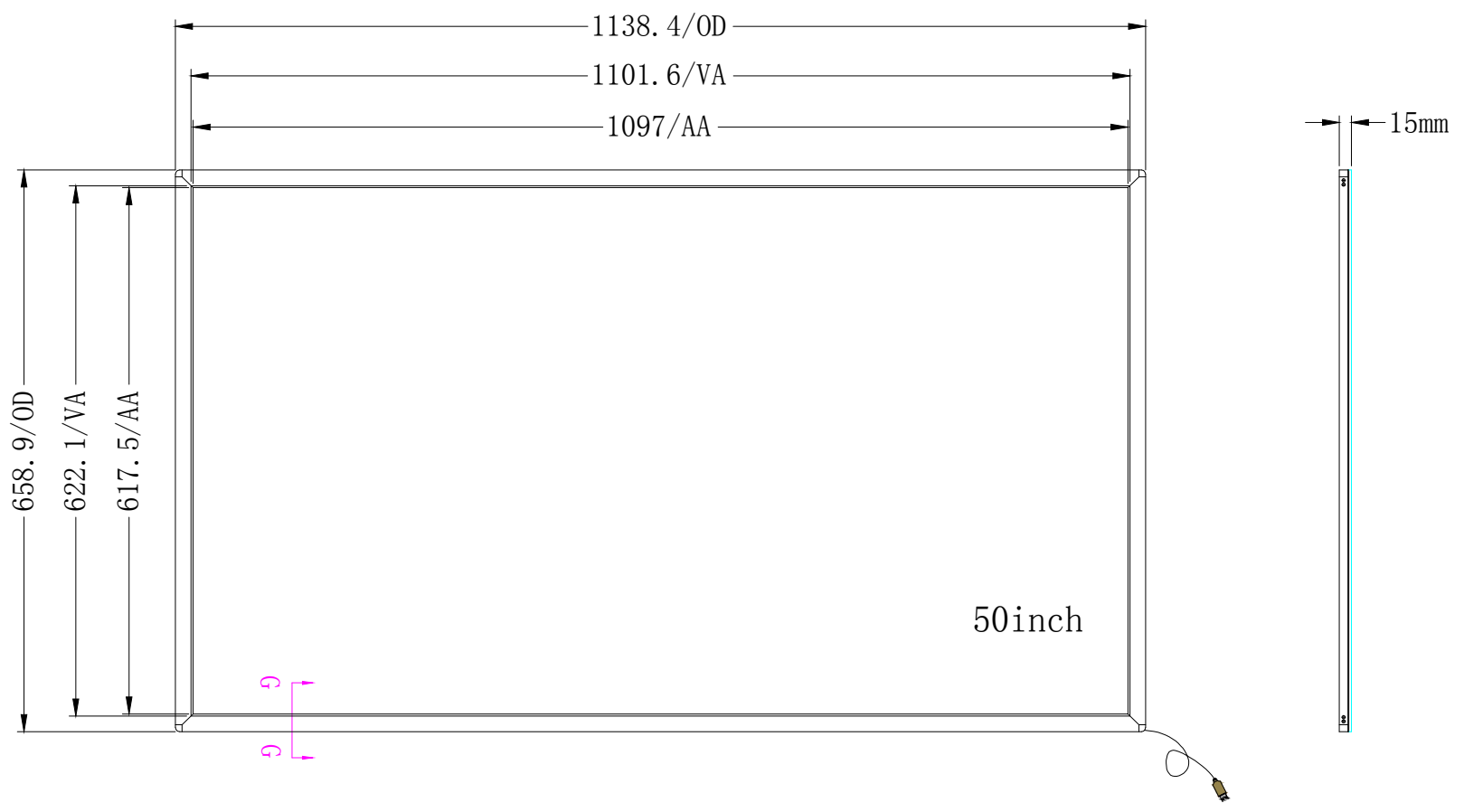


Version	Reasons for change	DATE	Design



TOLERANCES  
(UNLESS OTHERWISE STATED)

DECIMALS	ANGLES	±0.5°
>2000mm	±2.00mm	
1600<X≤2000mm	±1.20mm	
1200<X≤1600mm	±0.80mm	
800<X≤1200mm	±0.50mm	
400<X≤800mm	±0.30mm	
120<X≤400mm	±0.20mm	
30<X≤120mm	±0.20mm	
≤30mm	±0.15mm	

THIRD ANGLE PROJECTION

**格林触控**  
**GreenTouch** GreenTouch Technology Co.,Ltd

Model No:	GT-IR-TB50-1	Size:	50"
Ratio:	16:9	Unit:	mm
Design:	MR. LI	DATE:	2018.12.06
Scale:	1:1	Version:	A1
Page:	1/1		