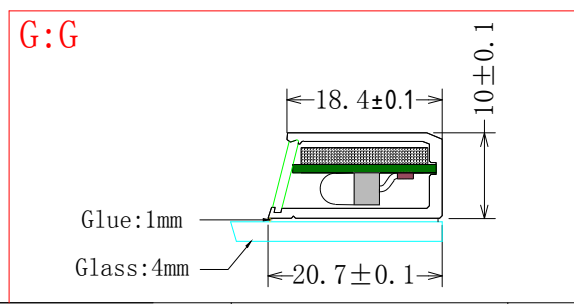
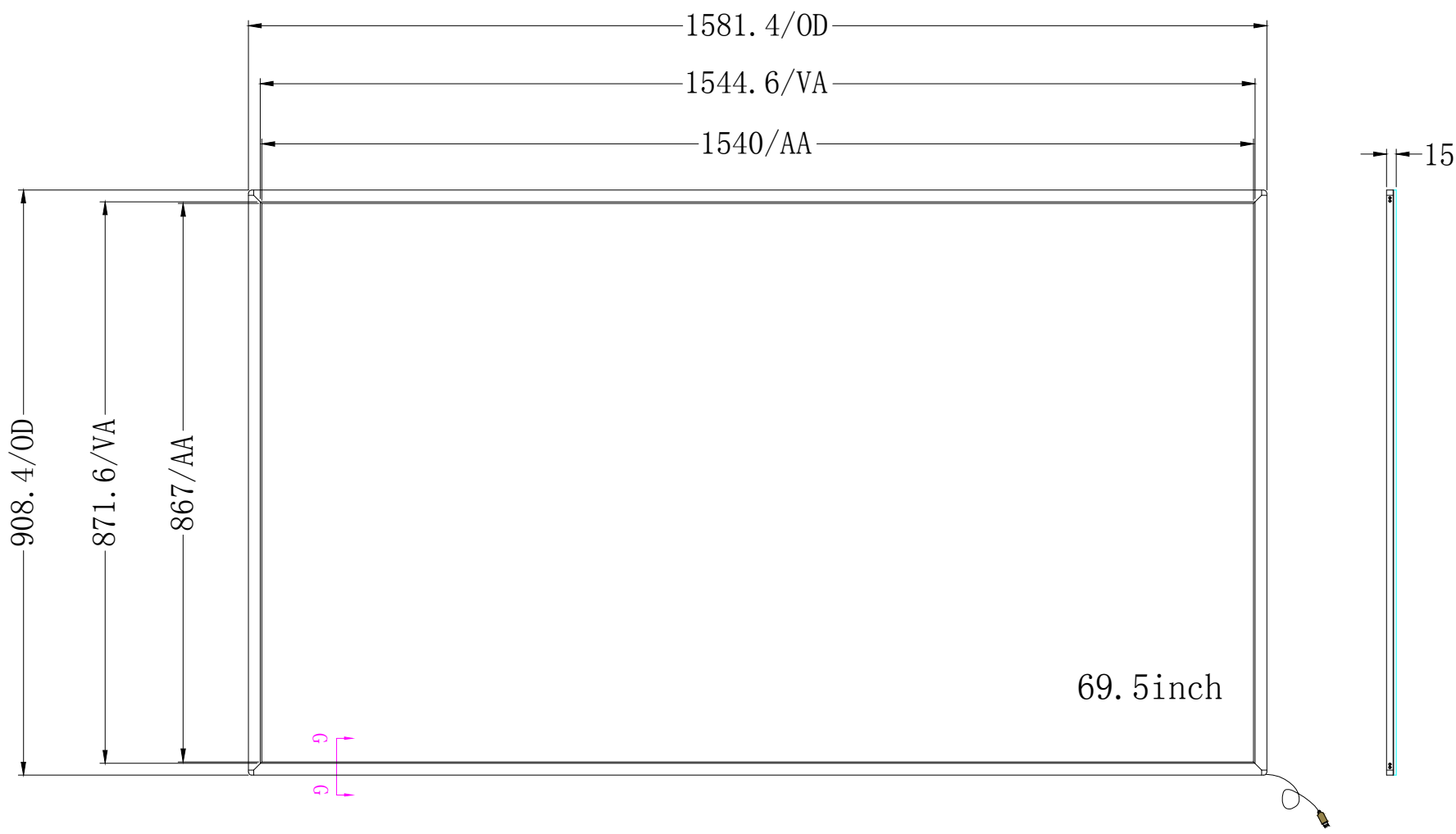


Version	Reasons for change	DATE	Design



TOLERANCES (UNLESS OTHERWISE STATED)	
DECIMALS	ANGLES
>2000mm	±2.00mm
1600<x≤2000mm	±1.20mm
1200<x≤1600mm	±0.80mm
800<x≤1200mm	±0.50mm
400<x≤800mm	±0.30mm
120<x≤400mm	±0.20mm
30<x≤120mm	±0.20mm
≤30mm	±0.15mm

ANGLES ±0.5°

THIRD ANGLE PROJECTION

GreenTouch Technology Co.,Ltd			
Model No:	GT-IR-TB69.5-1	Size:	69.5"
Ratio:	16:9	Unit:	mm
Design:	MR. LI	DATE:	2018.12.06
Scale:	1:1	Version:	A1
Page:	1/1		