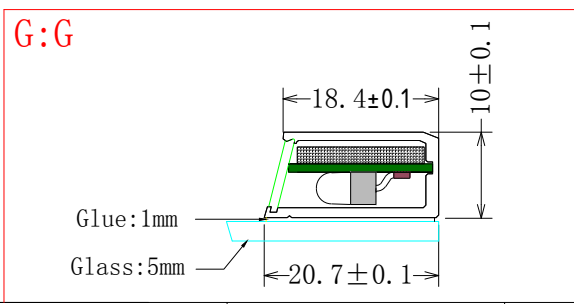
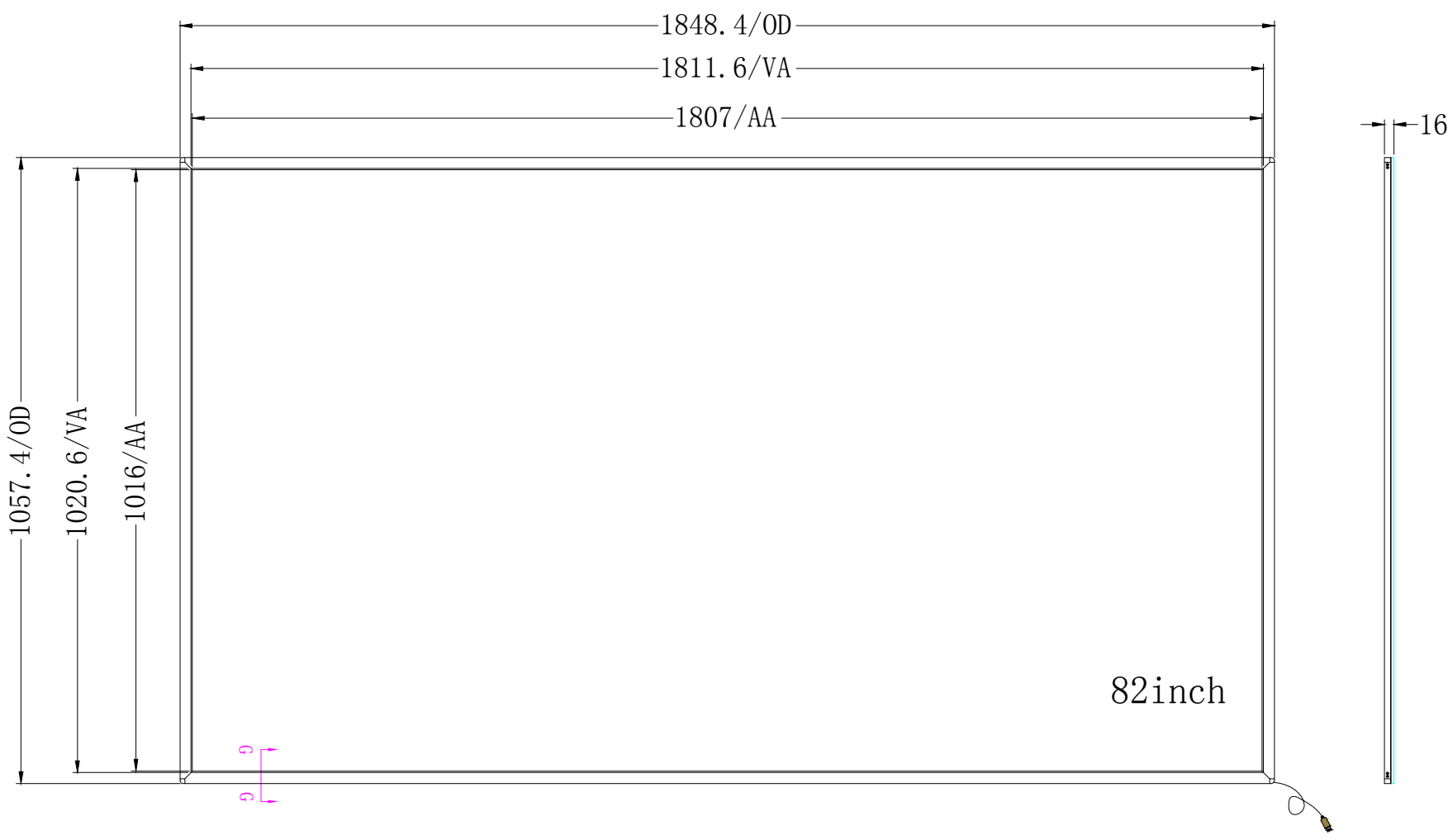


| | | | |
|---------|--------------------|------|--------|
| Version | Reasons for change | DATE | Design |
| | | | |



TOLERANCES
(UNLESS OTHERWISE STATED)

| DECIMALS | ANGLES | ±0.5° |
|-------------------|---------|-------|
| >2000mm | ±2.00mm | |
| 1600 < X ≤ 2000mm | ±1.20mm | |
| 1200 < X ≤ 1600mm | ±0.80mm | |
| 800 < X ≤ 1200mm | ±0.50mm | |
| 400 < X ≤ 800mm | ±0.30mm | |
| 120 < X ≤ 400mm | ±0.20mm | |
| 30 < X ≤ 120mm | ±0.20mm | |
| ≤ 30mm | ±0.15mm | |

THIRD ANGLE PROJECTION

格林触控
GreenTouch GreenTouch Technology Co.,Ltd

| | | | |
|-----------|--------------|----------|------------|
| Model No: | GT-IR-TB82-1 | Size: | 82" |
| Ratio: | 16:9 | Unit: | mm |
| Design: | MR. LI | DATE: | 2018.12.06 |
| Scale: | 1:1 | Version: | A1 |
| Page: | 1/1 | | |